

# DT-440

## Datasheet

DEHUMIDIFIER

© 2016 DehuTech AB



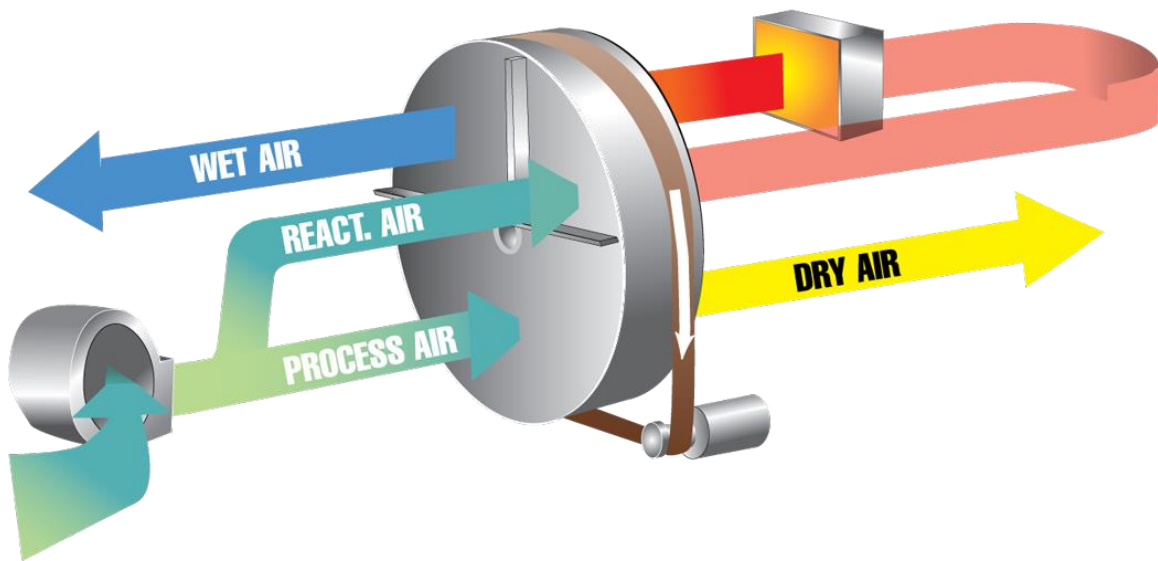
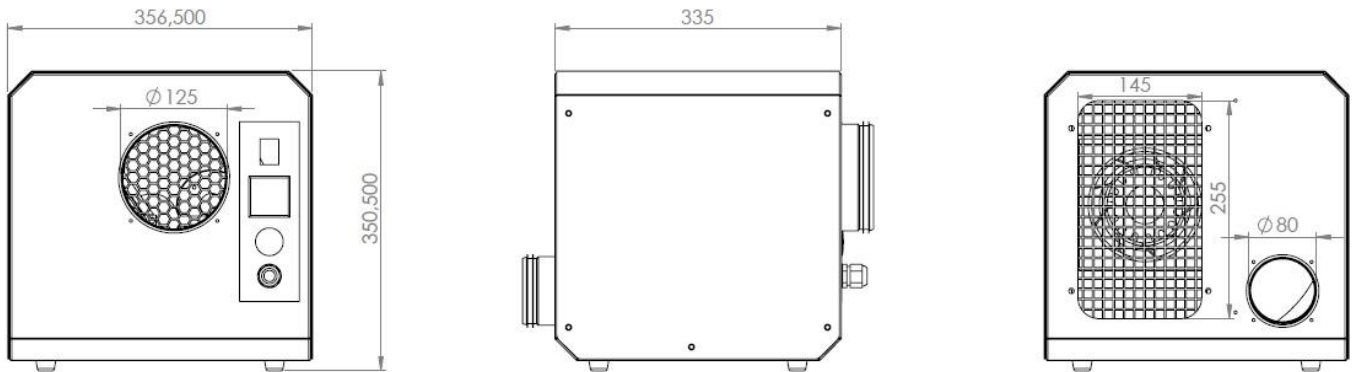
Desiccant dehumidifier for drying air at all conditions, but especially suitable at low temperature and low humidity operation.

Complete self-contained unit including desiccant rotor, Erp-2015 compliant fan, reactivation heater and controls. Casing in stainless steel.

The unit is ready for connection to standard size duct work, electrical power supply and external humidity sensor.

# Technical data

## Dimensions



## Technical data

<b>Dehumidification capacity</b>	1.4 kg/h	(at +20°C and 60 % RH See performance chart for other data)
<b>Process air flow</b>	440 m <sup>3</sup> /h	(free blowing)
<b>Wet air flow</b>	100 m <sup>3</sup> /h	(free blowing)
<b>Power supply</b>	2.13 kW	(230 V, 50 Hz)
<b>Current (A / phase)</b>	9.1 A	(connection fuse: 10 A / phase)
<b>Weight</b>	14.5 kg	
<b>Noise level</b>	69 dB(A)	

Note: Valid only for standard units, with standard air-flows.